

Radar Contact Sensors For Stilling Well Applications



Model - ABMXXX - YYYRC – H A - Pipe Stilling well

Applications -

Horizontal Tanks with oil, gasoline and other liquids with vapours.

Benefits -

- Enclosures are suitable for IP68 environmental conditions.
- ABM Standard non-contact radar platform with 1 1/2" copper pipe (2" and 3" Pipe can also be used) works as a stilling well to contain vapours.
- All features of the ABM non-contact radar are included.

Technical data -

Measuring Range : 27" to 96" (0.68. to 2.4 m)
 Temperature : Teflon PTFE – 40 to 350°F (-40 to 177°C) Antenna Material
 Pressure Rating : 5 bar for all Radar
 Mounting Thread : 1.5" or 2" NPT Male Thread
 Frequency : 6.3 GHz and 5.8 GHz

Catalogue # Ordering -

Supply Voltage:

XXX = 2 Wire 20-30 Vdc
 3 Wire 12-30 Vdc
 4 Wire 120 Vac or 230 Vac

Maximum Range:

YYY = 8 ft (2.4m)

Operating Frequency:

R = R6 6.3 GHz
 R5 5.8 GHz

Communications:

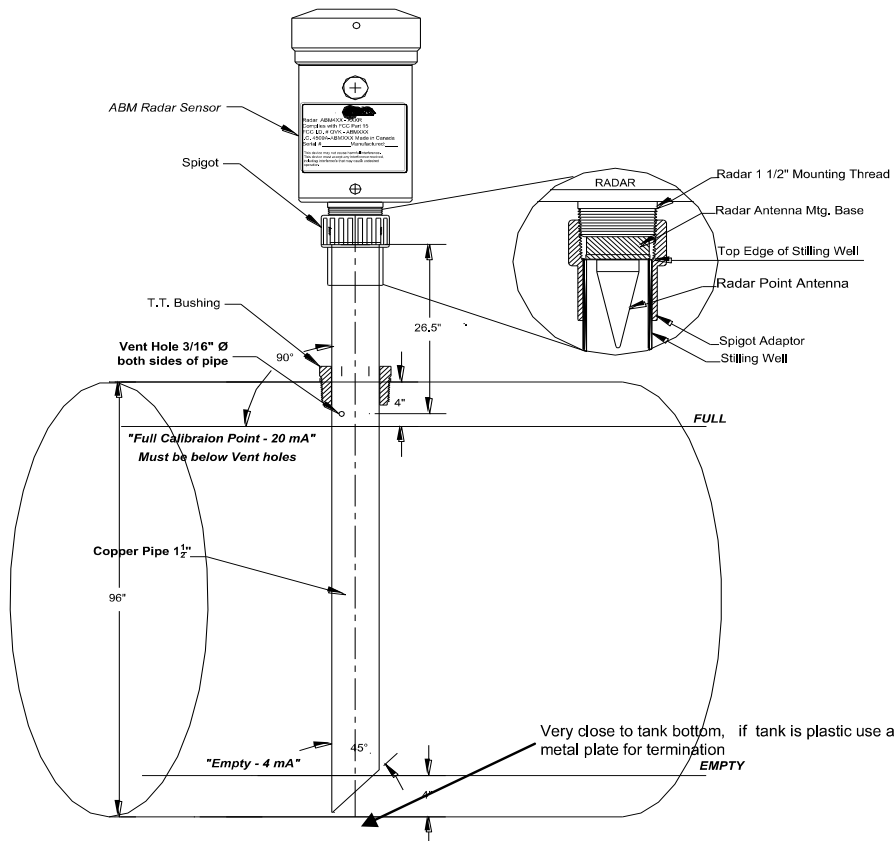
C = 4 - RS485
 2 - RS232
 H - Hart

Housing Material:

H = A L — Aluminum Enclosure Housing
 S.S. — SS316L Enclosure Housing

Antenna :

A = ATL TEFLON Launcher Antenna



Radar Storage Tank Stilling Well Installation