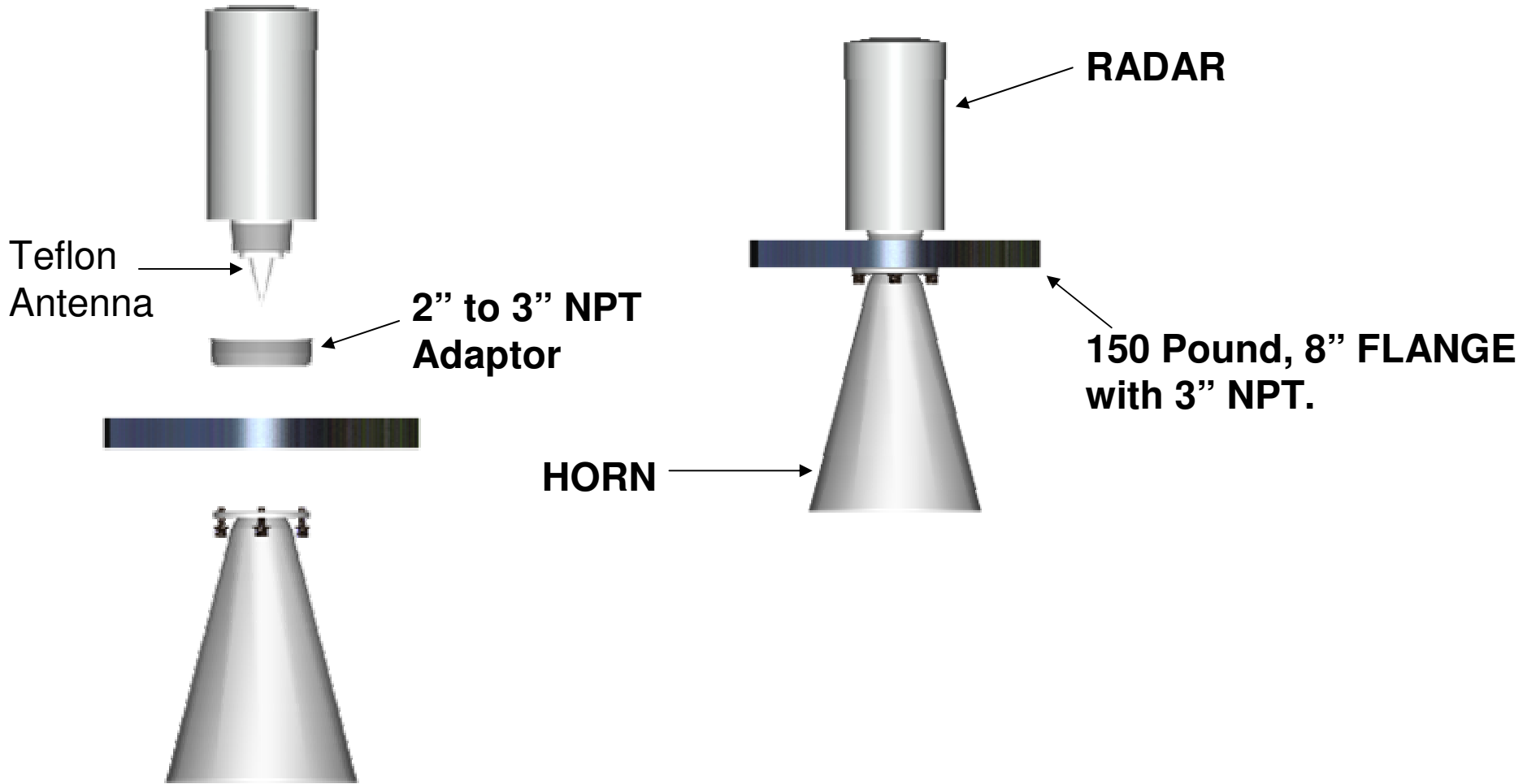
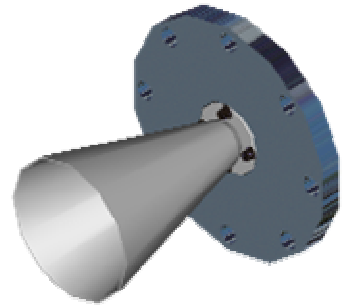
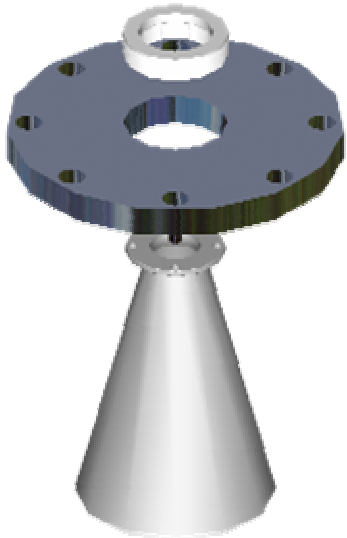


# RADAR HORN ASSEMBLY



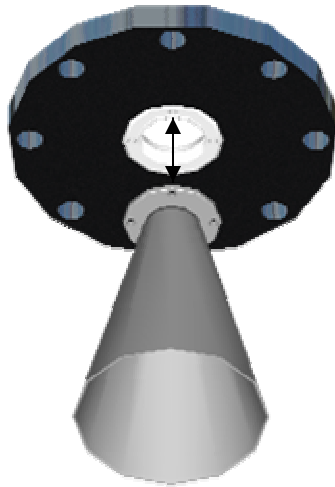
**Step 1**

Screw in Adaptor into Flange. Add grease for a good seal.



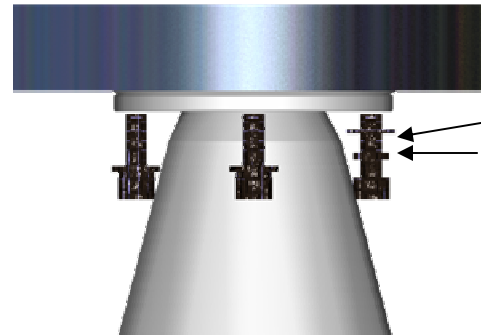
**Step 2**

Align holes in horn to holes in adaptor.

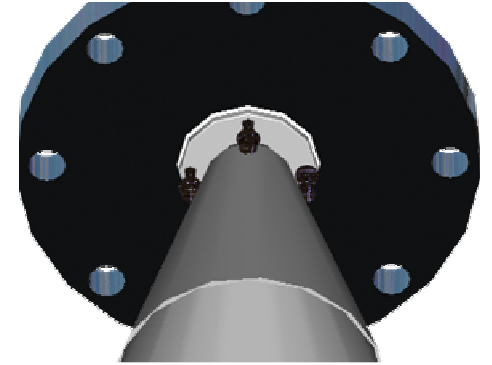


**Step 3**

Place first Flat Washer, Lock Washer then Bolt into all four holes.



Flat Washer  
Lock Washer



**Step 4**

Screw in Small Antenna into the base of the Radar.



**Step 5**

Screw in Radar Unit into top of Adaptor. Add grease for a good seal.

