



Cellular Gateway

Short User Manual

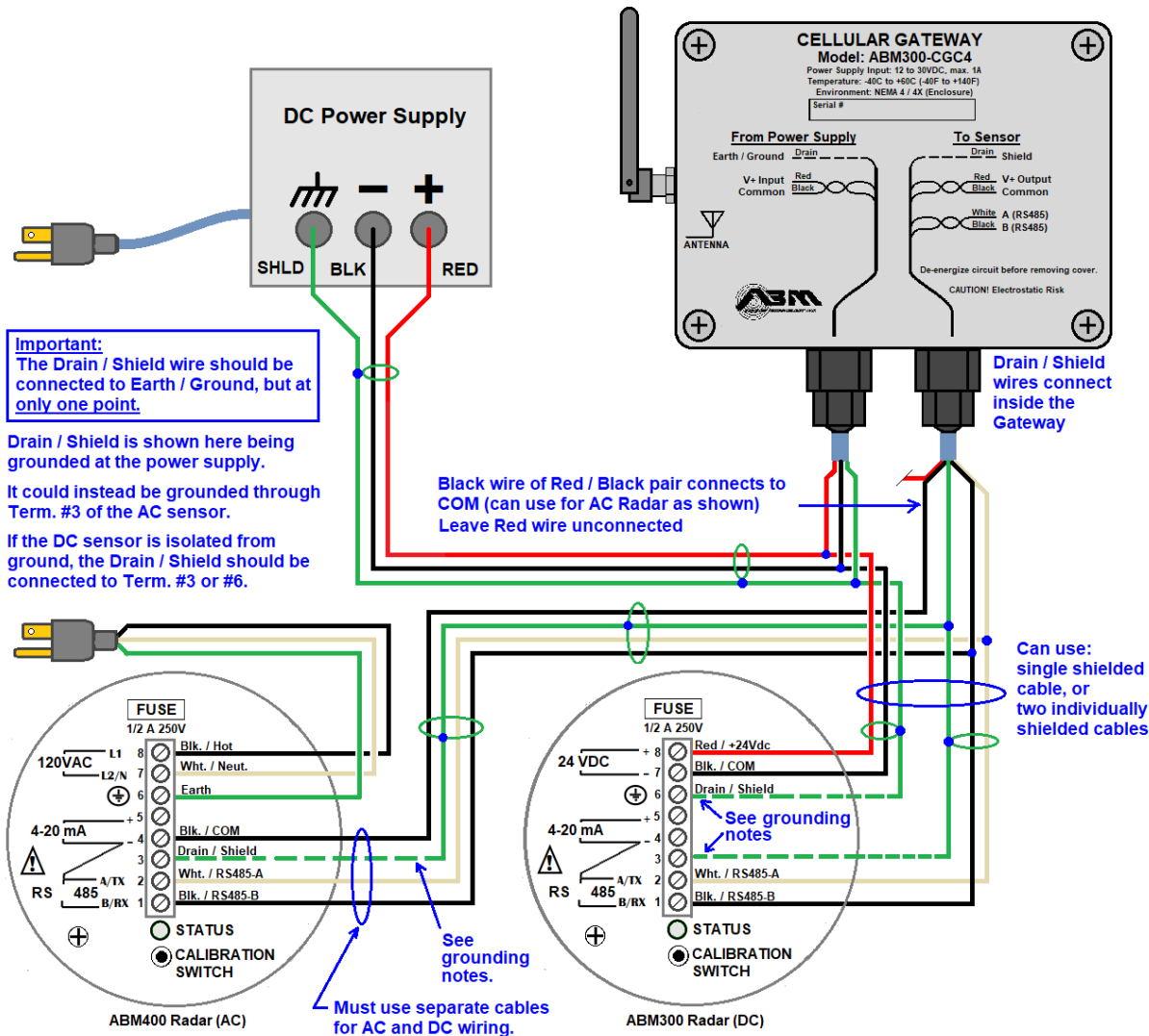
730 The Kingsway Peterborough, ON K9J6W6 Canada,

Tel: 705-740-2010, Fax: 605-640-2563

info@abmsensor.com

abmsensor.com

All Cellular Gateway manuals available at: abmsensor.com/products/cellular-gateway



1. Connect your Cellular Gateway with your radar sensor, according to the left diagram, which shows an example with and without external AC power to the radar sensor.
2. Power up your Cellular Gateway and radar sensor.
3. With an internet-connected PC, access abmsensor.com, and click on "Sensor Login" to access sensor.abmsensor.com.
4. Click on "Register Here". Fill out the form and enter the access code that came with your Cellular Gateway.
5. Once registered, go back to the login page (sensor.abmsensor.com), enter your e-mail and password, and click "Login".
6. Click on "Cellular Gateway Menu (Hub)" to load the Hub List page. In the table, click on "View" in the "All Hub Sensors" column.
7. If your radar sensor has been detected, it will be listed on the "Hub Sensor List" page. Click on the serial number of the radar sensor, which will load the "Measurement View" page.
8. From the "Measurement View" page, click on "View Calibration", which will list all current calibration settings for the sensor, or click on "Edit Calibration" to change these settings. 4mA and 20mA calibration values can be found in "Set Tank Range".
9. To configure alarms, click on "Alarms" from the "Measurement View" page.
10. To configure a tank for your radar sensor, go back to the "Main Menu", and click on "Tank Collections".
11. If you have more than one radar sensor to install, turn off the Cellular Gateway, keep your already installed sensors attached, and then attach your next sensor. Repeat steps 1 to 7 and verify that each radar sensor has appeared on the Hub Sensor List. The ABM Cellular Gateway will number sensor IDs ("SID") starting at 4. When finished, restart one last time.